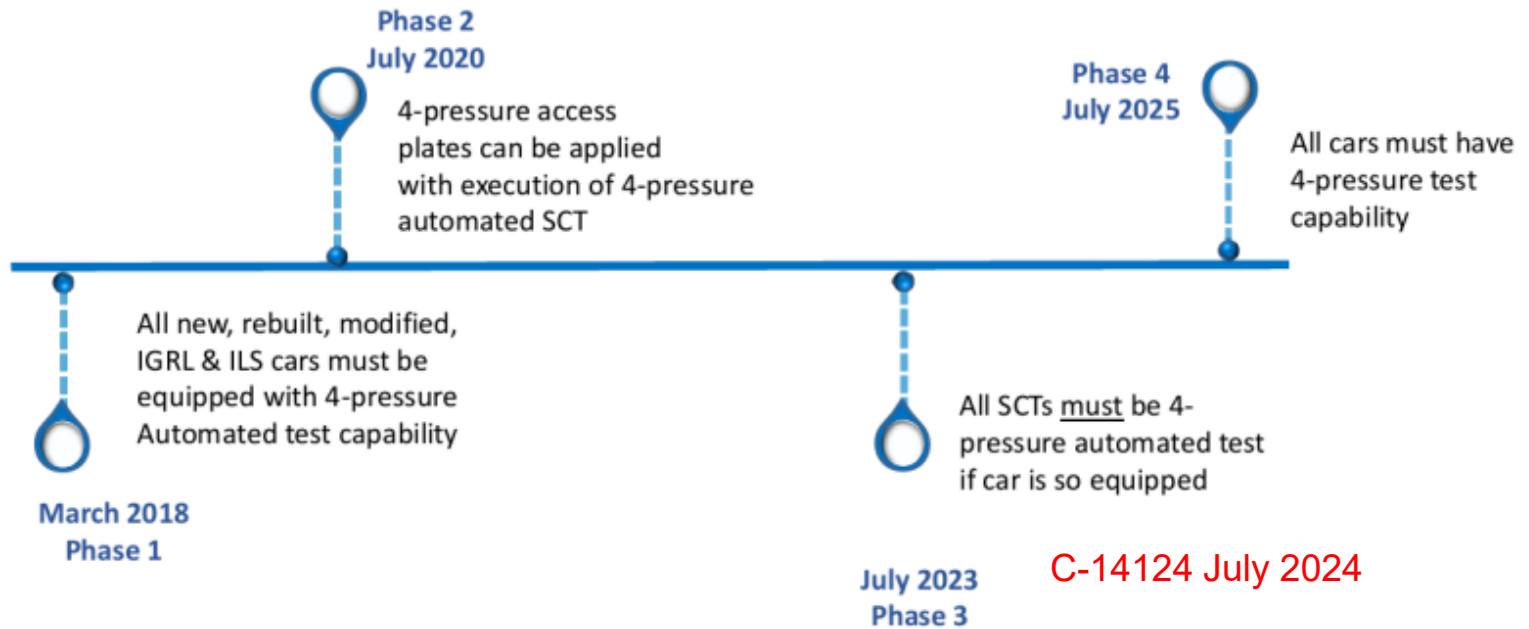


July 1st 2023
AAR
Field Manual
Interchange Rule Changes
4-Pressure Access Plate and Testing
Implementation



4-Pressure Access Plate Timeline

Regulatory modification to dates is not expected



Nichole Fimple

AVP, Business Services & Executive Director, Rules &
Standards



April 24, 2023

[C-14124]

Circular Letter

Subject: Solicitation of Comments, Revisions to Field Manual, Rules 1, 3 and 4, 4-Pressure Requirements

To: ALL SUBSCRIBERS

File Number:0423 NB#1

At the April 2023 meeting of the Arbitration and Rules Committee, a proposal by the Brake Systems Committee (BSC) to revise Field Manual Rules 1, 3 and 4 to increase the rate of application of 4-pressure access plates and receivers, and to address inventory issues with 4-pressure test devices, was reviewed and approved. The entire text of the revision is identified below.

Rule 1 Change

Current Field Manual Rule 1.5.a: (see Field Manual page 5)

Proposed Field Manual Rule 1.5.a:

a. Gages (use of gages must be demonstrated upon request by the MID)

(1) Single Car Air Brake Test device.

(a) Automated Single Car Air Brake Test Device(s) capable of performing a 4-pressure Automated Single Car Air Brake Test must be shown to be on order by July 1, 2023 and will be required by July 1, 2024 ~~2023~~.

Rule 3.B.4 (exemption Rule 4.B.14)

Current Field Manual Rule 3.B.4: (see Field Manual page 12)

Proposed Field Manual Rule 3.B.4:

4. All single car tests must be performed via 4-pressure (if car is equipped) using a 4-pressure automated single car test device except when:
 - a. Prior to July 1, ~~2023~~ 2024, 4-pressure automated single car test device is not available.
 - b. Car is exempt per Rule 4.B.~~14~~214.

14. A car is not required to be upgraded to 4-pressure capability if:
 - a. The car has a built or rebuilt date prior to July 1, 1975.
 - b. Clearance issues exist that do not allow the application of 4-pressure equipment.
 - (1) Utilize Job Code 1135 to notify car owner.

Rule 3.F Addition of Job Code

Current Field Manual Rule 3.F Job Code 1135: (vacant)

Proposed NEW Field Manual Rule 3.F Job Code 1135: This is a non-billable Job Code used to notify the car owner of cars with clearance issues preventing the application of 4-pressure plates.

1135 Clearance Issue Prevents 4-Pressure Retrofit

(Condition Code 0)

(Why Made Code 24)

Rule 4.B.12-15

Current Field Manual Rule 4.B.12-15: (see Field Manual page 37)

Proposed Field Manual Rule 4.B.12 and NEW Rules 4.B.13-15:

12. It is allowed to retrofit any car at the time of a single car test with all necessary equipment to allow 4-pressure testing and test from the newly installed equipment ~~except when~~ as noted in Rule 4.B.14.:

- ~~a. The car has a built or rebuilt date prior to July 1, 1975~~
- ~~b. Car clearance issues exist that do not allow the application of 4-pressure equipment~~
- ~~c. The repairing location does not have the capability of performing 4-pressure equipment pressure testing~~

13. When a service portion is applied and the car is not 4-Pressure capable, the car must be brought into compliance, except when as noted in Rule 4.B.14.

14. A car is not required to be upgraded to 4-pressure capability if:

- a. The car has a built or rebuilt date prior to July 1, 1975.
- b. Clearance issues exist that do not allow the application of 4-pressure equipment.
 - (1) Utilize Job Code 1135 to notify car owner.

15. If car design requires alteration for upgrading to 4-pressure capability, repair party may contact car owner for instructions.

Rule 4.E.26

Current Field Manual Rule 4.E.26: (see Field Manual page 49)

Proposed Field Manual Rule 4.E.26:

26. ~~After~~ Effective July 1, 2024 ~~2023~~, 4-pressure testing must be used if the car is equipped with 4-pressure testing capability and a single car test is being performed for any reason.







Adapter Plate Variations

Notes:

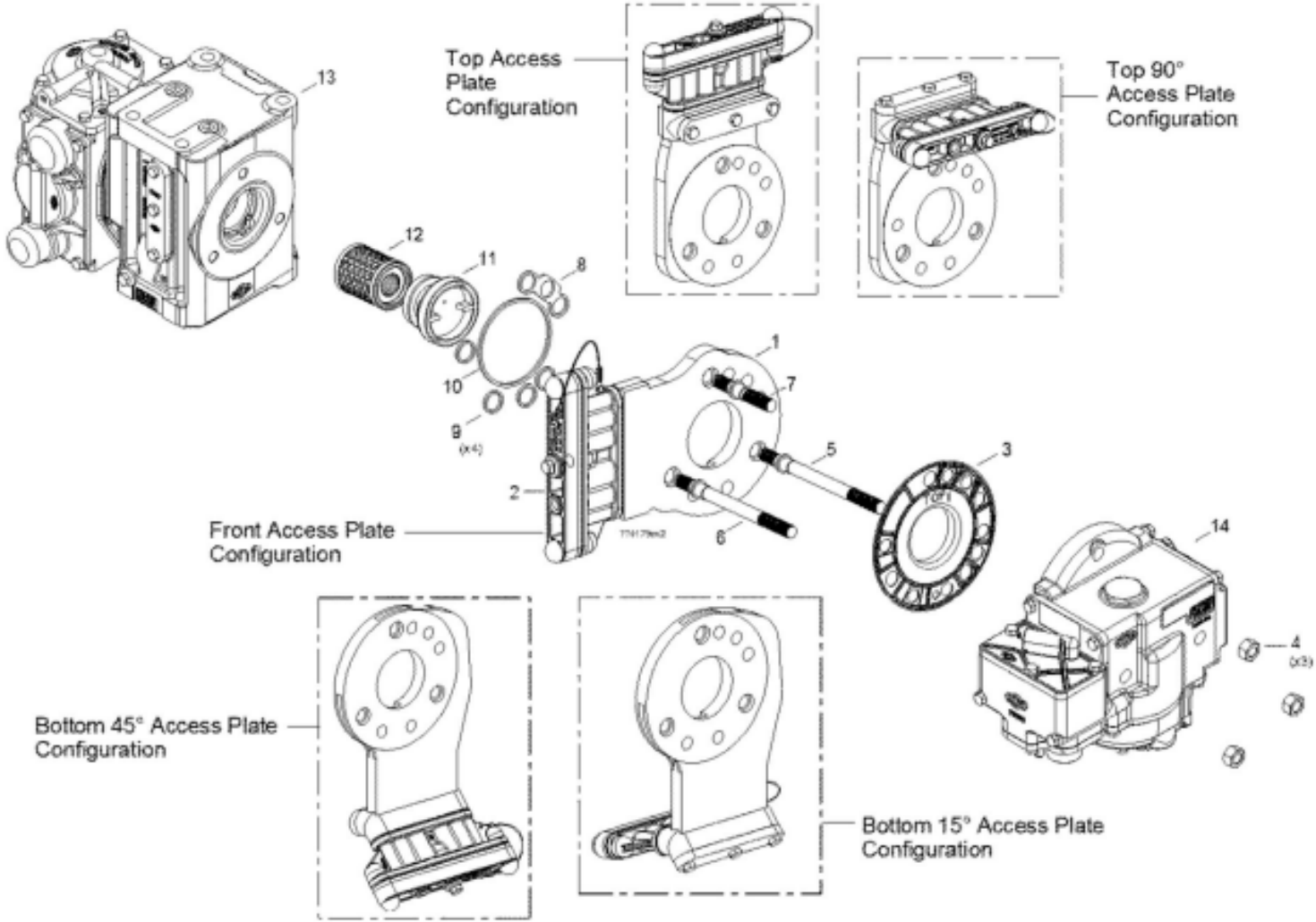
SSPB = Single-Sided Pipe Bracket

BCQD = Brake Cylinder Quick Disconnect

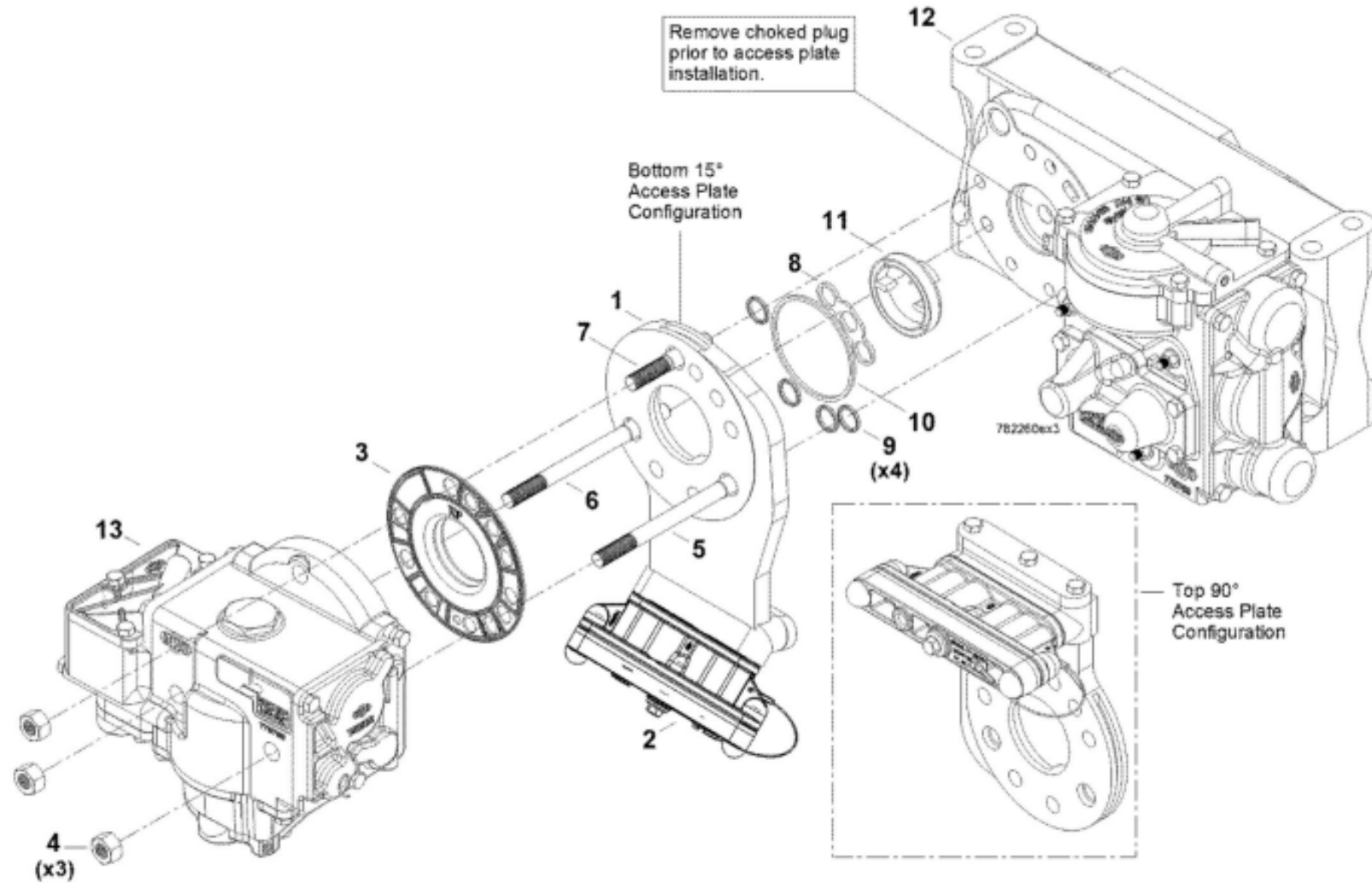
4-Port = 4-Pressure

Description		Standard Kit w/BCQD	Standard Kit, no BCQD	DB30 Kit w/BCQD	DB30 Kit, no BCQD	SSPB Kit w/BCQD	SSPB Kit, no BCQD
Front Loading		778899	774179	778900	777638	N/A	N/A
Top Loading		776481	788409	777634	778237	796492	796491
Top 90 degree Loading		775431	782245	777635	782249	796498	796497
Bottom 45 degree Loading		776372	774600	777633	777636	796496	796495
Bottom 15 degree Loading		776681	791310	777637	791309	796494	796493
4-Port Receiver only		776464	774178	776464	774178	776464	774178

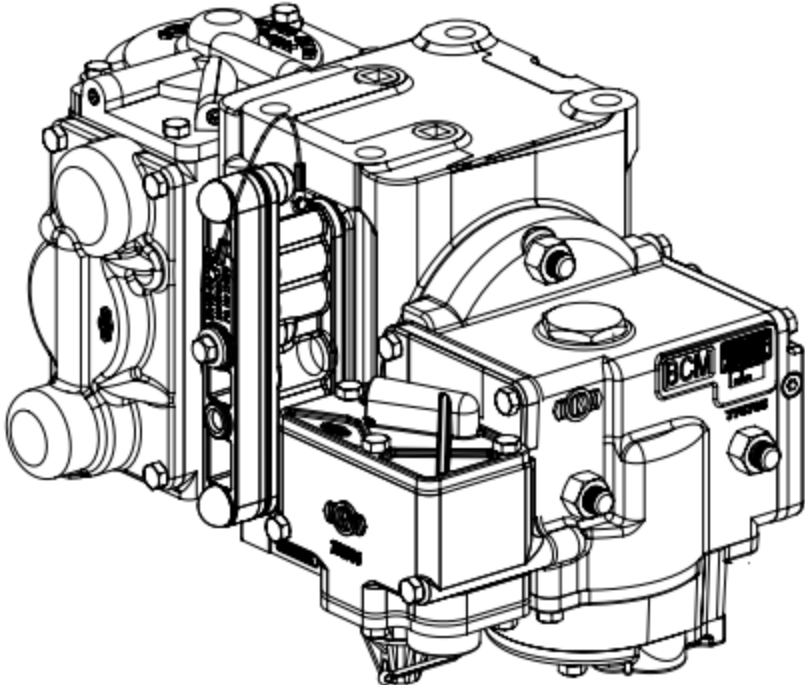
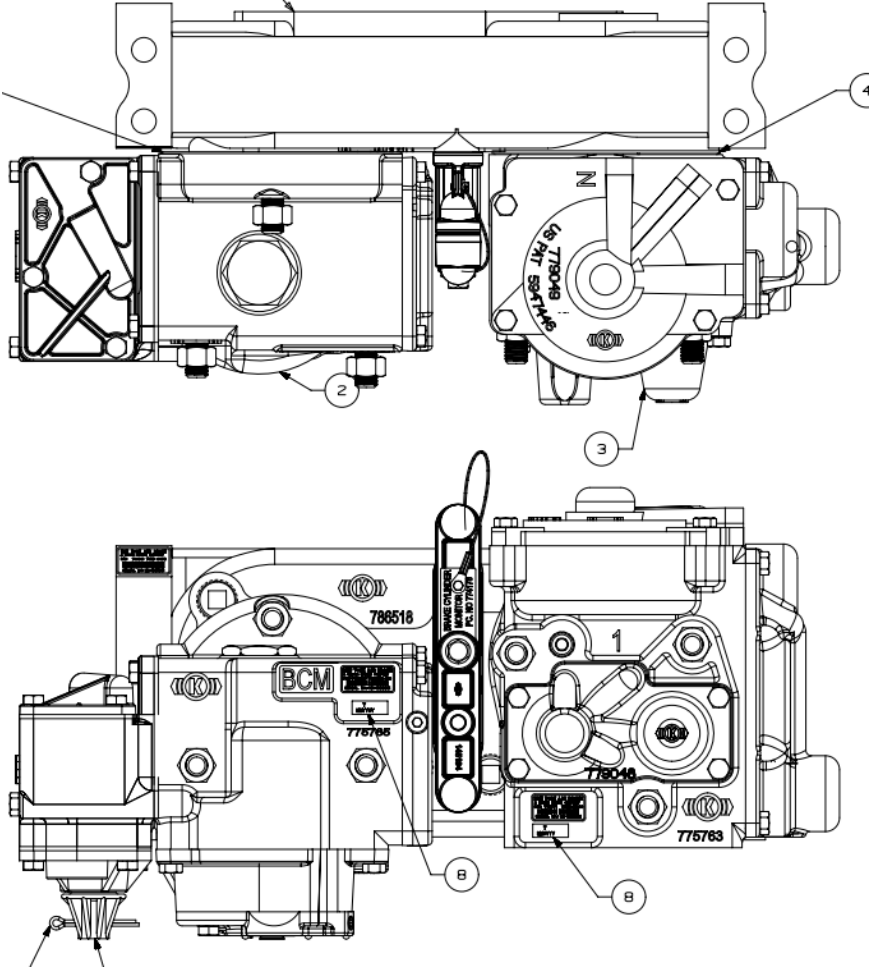
Standard 2 Sided Pipe Bracket Access Plate Install



Standard Single Sided Pipe Bracket Access Plate Install



Integrated Pipe Bracket with 4 port access



Thank You!

Ted Kernn

Regional Sales Manager

1920 Downs Dr.

West Chicago Il 60185

Mobile: +1 315 486-8265

Email: ted.kernn@nyab.com

www.nyab.com

